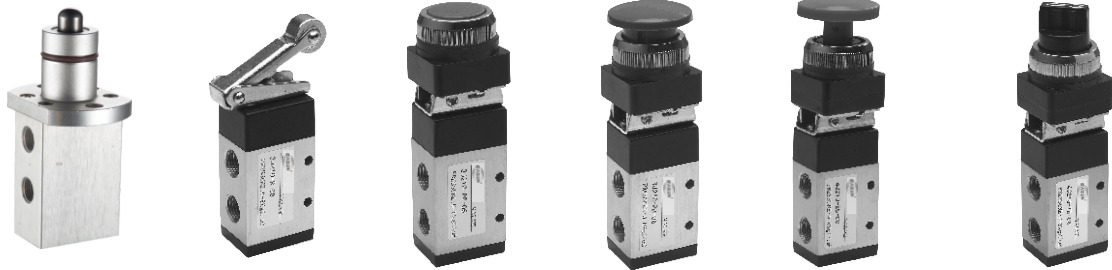


3J2 Series 3/2 Way Mechanical And Manual Valve



3J210RB

3J210R

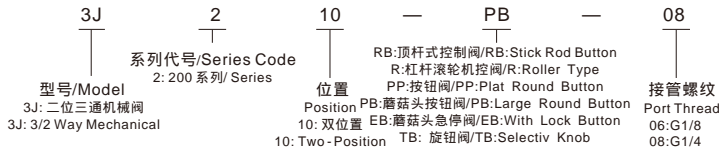
3J210PP

3J210PB

3J210EB

3J210TB

Product Code System



Example

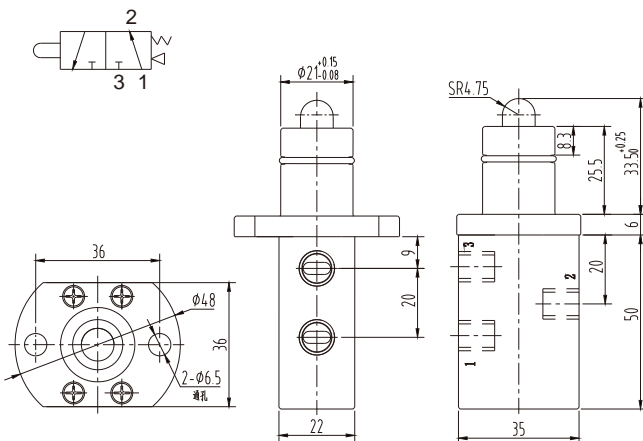
For the order of 4J2 series two-position selectiv knob thread 1/4 ,the correct order code is : 3J210 - TB - 08

Specification

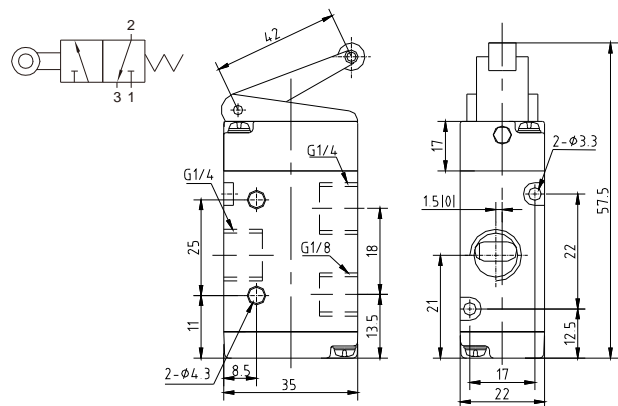
型号 / Model	3J210RB-06	3J210R-06	3J210PP-06	3J210PB-06	3J210EB-06	3J210TB-06	3J210R-08	3J210PP-08	3J210PB-08	3J210EB-08	3J210TB-08
工作介质/ Fluids	经过滤的压缩空气 / the constrigent after filtered										
位置数/ Position	二位三通 / 3/2 Way										
有效截面积/ Efficient Sectional Area	14mm ² (CV=0.78)					16mm ² (CV=0.78)					
接管螺纹/Port Thread	进气/ Supply=出气/ Export=排气/ Exhaust=G1/8					进气/ Supply=出气/ Export=G1/4		排气/ Exhaust=G1/8			
润滑 / Lubrication	不需要/Not Required										
使用压力/ Operating Pressure	0-0.8MPa										
最大耐压力 / Max Pressure	1.0MPa			1.2MPa							
工作温度 / Operating Temperature	-40 - 120					- 5 - 60					

Dimensions

3J210RB

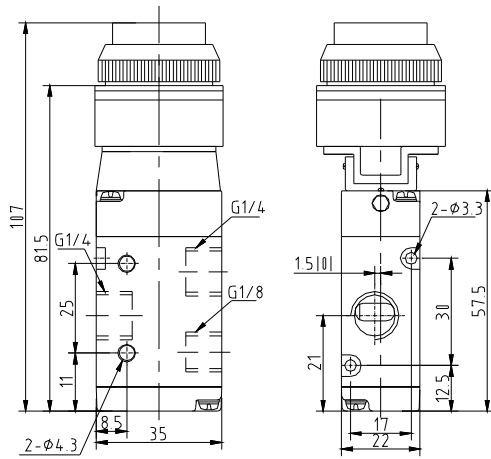
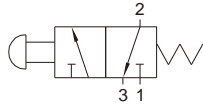


3J210R-08(06)

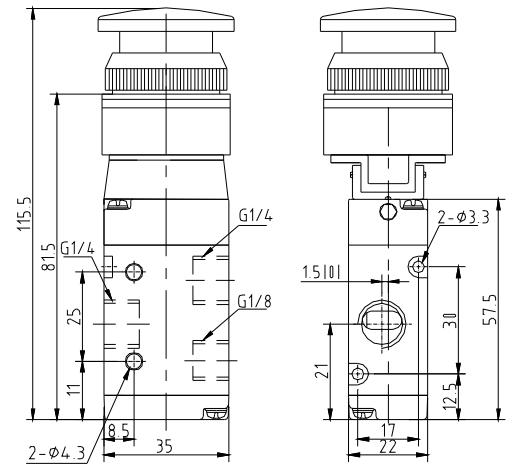
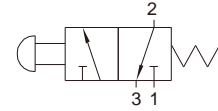


■ Dimensions

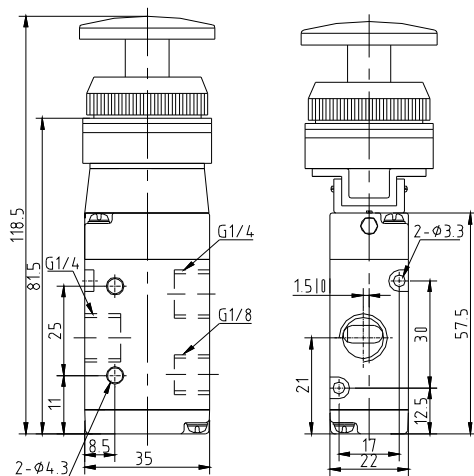
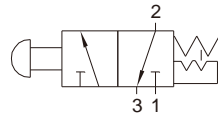
3J210PP-08(06)



3J210PB-08(06)



3J210EB-08(06)



3J210TB-08(06)

