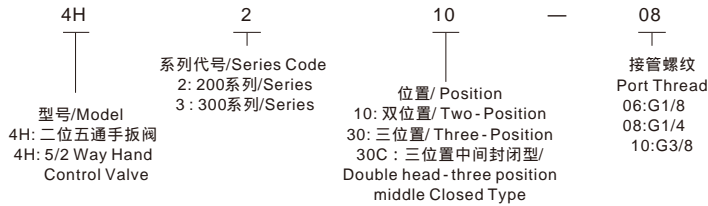


# 4H Series 5/2 Way & 5/3Way Hand Control Valve



## Product Code System



## Example

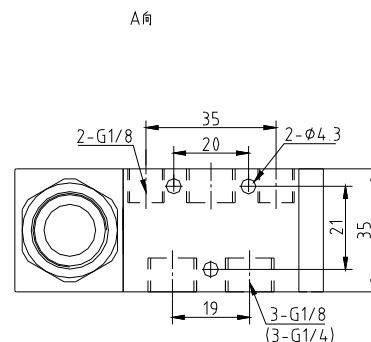
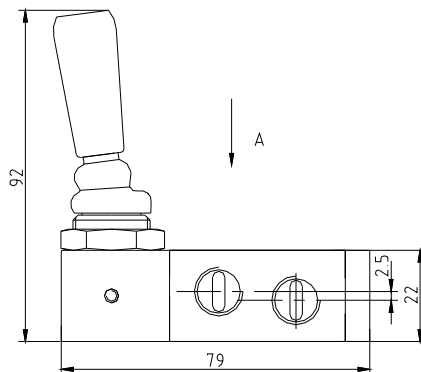
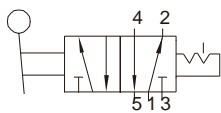
For the order of two - position 4H2 series hand control valve which port thread is 1/8 ,the correct order code is : 4H210 - 06

## Specification

型号 / Model	4H210-06	4H210-08	4H230C-08	4H310-08	4H310-10	4H330C-10
工作介质/ Fluids	经过滤的压缩空气 / The constrigent after filtered					
位置数/ Position	二位五通/ 5/2 Way		三位五通/ 5/3 Way	二位五通/ 5/2 Way		三位五通/ 5/3 Way
有效截面积/ Efficient Sectional Area	14mm <sup>2</sup> (CV=0.78)		16mm <sup>2</sup> (CV=0.89)	25mm <sup>2</sup> (CV=1.4)	30mm <sup>2</sup> (CV=1.68)	30mm <sup>2</sup> (CV=1.68)
接管螺纹/Port Thread	进气/Supply=出气/Export=排气/Exhaust=G1/8	进气/Supply=出气/Export=G1/4 排气/Exhaust=G1/8	进气/Supply=出气/Export=G1/4 排气/Exhaust=G1/8	进气/Supply=出气/Export=排气/Exhaust=G1/4	进气/Supply=出气/Export=G3/8 排气/Exhaust=G1/4	
润滑/ Lubrication	不需要/Not Required					
使用压力 / Operating Pressure	0~0.8MPa					
最大耐压力 / Max Pressure	1.2 MPa					
工作温度 / Operating Temperature	-5-60					

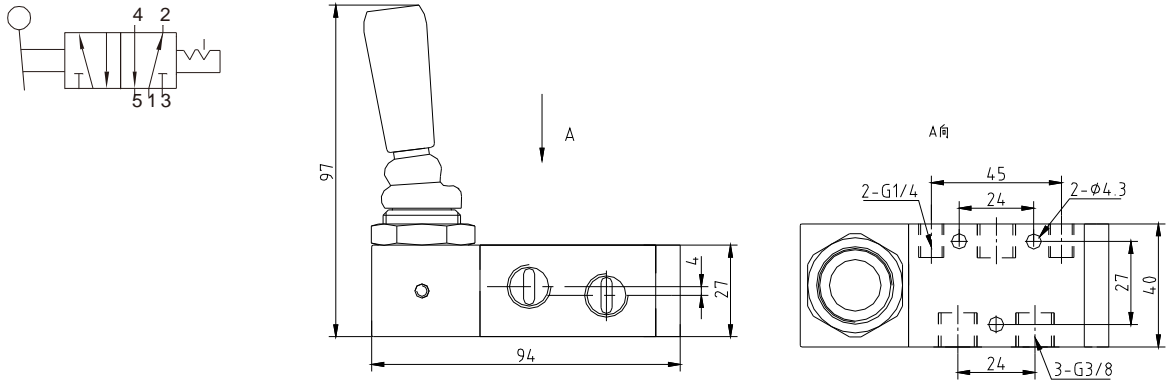
## Dimensions

### 4H210-06(08)

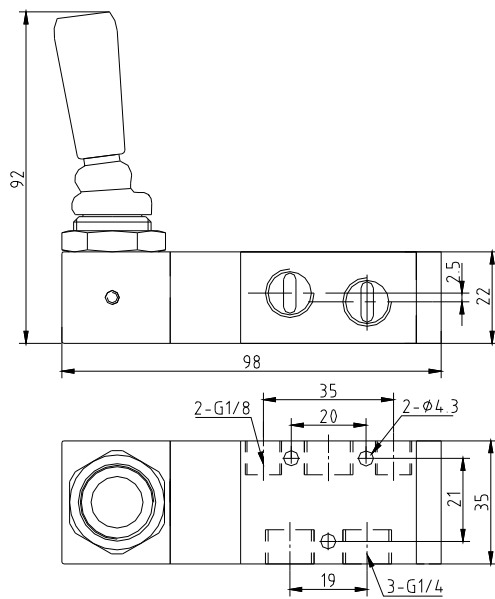
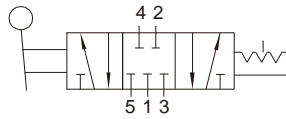


## ■ Dimensions

### 4H310-08(10)



### 4H230C-08



### 4H330C-10

