

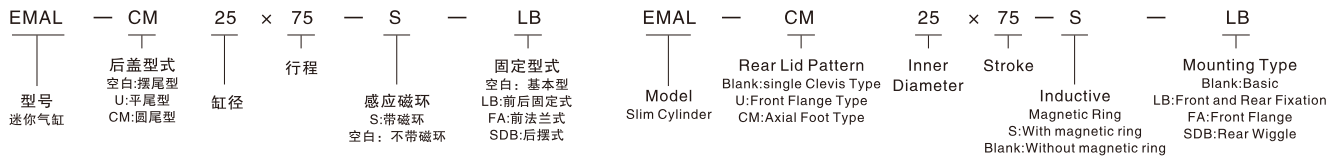
# Slim Cylinder of Aluminium Alloy



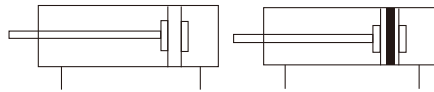
## Characteristics

- ◆ The aluminum barrel type is much cheaper than the stainless steel barrel type.
- ◆ All parts are pre-lubricated during assembly and the TEFLON material bushing is used, lubrication is not required.
- ◆ High Temperature type cylinder is optional. The special seals uiton will be adopted to be suitable up to 150°C.
- ◆ A complete range of accessories is available to meet all kind of demand.
- ◆ All cylinders can be supplied as standard with magnetic pistons. The magnetic cylinder is option for using with switch sensors.

## Product Code System



## Example



▲ for order of the standard double acting LB fixed pattern aluminium alloy slim cylinder which the inner diameter is 20mm , the stroke is 50mm , the magnetic ring is attached to , the lid pattern is single clevis type, the correct order code is :EMAL – 20 x 50 – S – LB

## Specification

缸径/ Inner Diameter (mm)	16	20	25	32	40
动作型式/ Action	双作用型/ Double Acting				
工作介质/ Fluid	经过滤的压缩空气/ The constrigent after filtered				
固定型式/Fixing Type	基本型/ Basic LB FA SDB				
使用压力范围/ Range of Working Pressure MPa	0.05~0.9				
保证耐压力/ Proof Press MPa	1.35				
使用温度范围 / Operating Temp °C	-5~70				
使用速度范围 / Piston Speed mm/s	30~800				
缓冲型式/ Cushion	固定式缓冲/ Fixing Cushion				
接管螺纹 / Port Thread	M5×0.8	G1/8			G1/4

## Cylinder Stroke

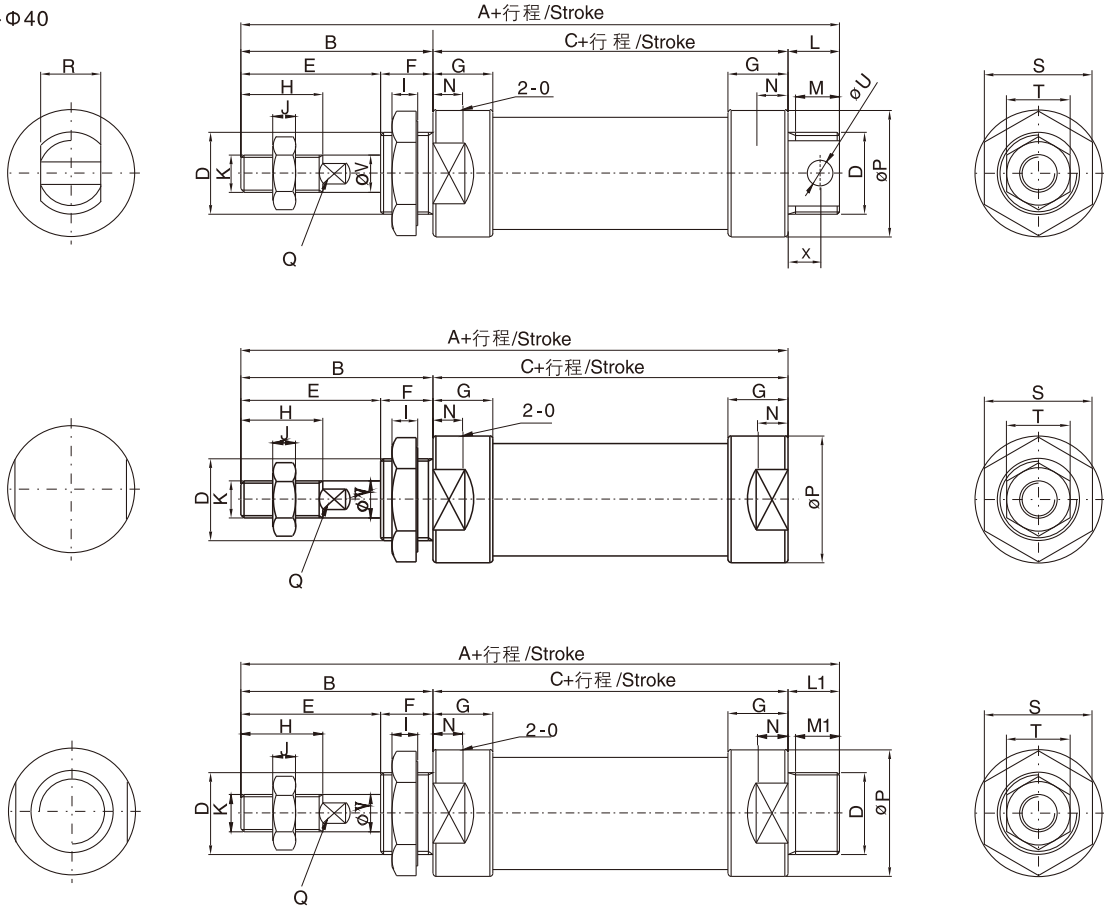
缸径/ Inner Diameter(mm)	标准行程/ Standard Stroke	最大行程/ Max Stroke	容许行程/ Permissible Stroke
16	25 50 75 80 100 125 150 160 175 200 250 300	500	800
20	25 50 75 80 100 125 150 160 175 200 250 300	500	800
25	25 50 75 80 100 125 150 160 175 200 250 300 350 400 450 500	800	1200
32	25 50 75 80 100 125 150 160 175 200 250 300 350 400 450 500	800	1200
40	25 50 75 80 100 125 150 160 175 200 250 300 350 400 450 500	1200	1500

※Please contact us if you want special stroke cylinder

# ■ Dimensions

## EMAL

Φ16~Φ40

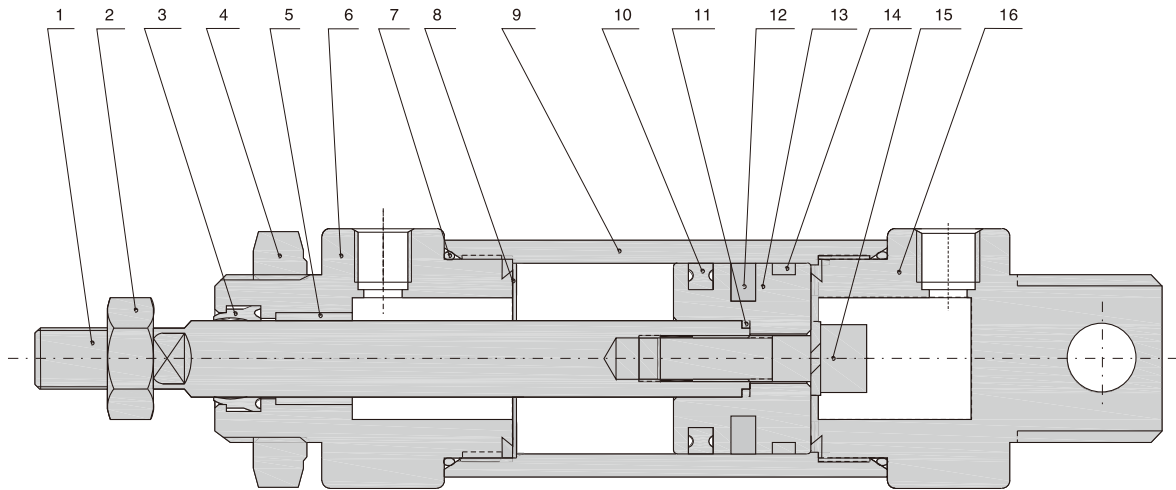


## ■ EMAL

符号 缸径 Code Inner Dia.	A			B	C	E	F	G	H	I	D	K	J
	摆尾 Type single Clevis	圆尾 Type Axial Foot	平尾 Type Front Flange										
16	114	114	98	38	60	22	16	10	16	6	M16 × 1.5	M6 × 1	5
20	131	122	110	40	70	28	12	16	20	7	M22 × 1.5	M8 × 1.25	6
25	135	128	114	44	70	30	14	16	22	7	M22 × 1.5	M10 × 1.25	6
32	139	139	114	44	70	30	14	16	22	8	M24 × 2	M10 × 1.25	6
40	165	152	138	46	92	32	14	22	24	9	M30 × 2	M12 × 1.25	7

符号 缸径 Code Inner Dia.	L	L1	O	N	M	M1	P	R	S	T	U	V	Q	X
16	16	16	M5 × 0.8	5	14	14	21	12	22	10	6	6	5	9
20	21	12	G1/8	8	19	10	29	16	29	12	8	8	6	12
25	21	14	G1/8	8	19	12	34	16	29	17	8	10	8	12
32	25	25	G1/8	8	23	12	39	16	32	17	10	12	10	15
40	27	14	G1/4	11	25	12	47	20	41	19	12	16	14	15

## Structure Chart



序号	1	2	3	4	5	6	7
名称	活塞杆	活塞杆螺母	防尘密封圈	前盖螺母	导套	前盖	前后盖O型圈
材料	中碳钢	低碳钢	NBR	低碳钢	复合材料	铝合金	NBR

序号	8	9	10	11	12	13	14	15	16
名称	缓冲圈	缸筒	组合密封圈	活塞杆O型圈	磁环	活塞	支承环	内六角螺钉	后盖
材料	塑料	铝合金	NBR	NBR	塑磁	铝合金	复合材料	中碳钢	铝合金

No.	1	2	3	4	5	6	7
Description	Piston Rod	Piston Rod Nut	Dustproof Seal Ring	Front Cover Nut	Guide Sleeve	Front Cover	Front & Rear Cover O-ring
Material	Medium Carbon Steel	Mild Steel	NBR	Mild Steel	Composite Material	Aluminum Alloy	NBR

No.	8	9	10	11	12	13	14	15	16
Description	Buffer Ring	Cylinder	Combined Seal Ring	Piston Rod O-ring	Magnetic Ring	Piston	Support Ring	Allen Screw	Rear Cover
Material	Plastic	Aluminum Alloy	NBR	NBR	Plastic	Aluminum Alloy	Composite Material	Medium Carbon Steel	Aluminum Alloy