

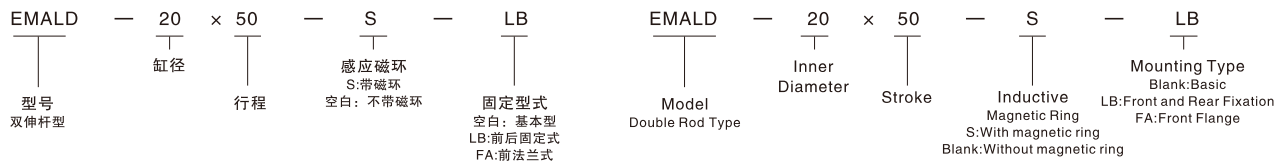
Slim Cylinder of Aluminium Alloy(Double Rod Type)



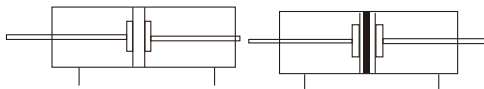
Characteristics

- ◆The aluminum barrel type is much cheaper than the stainless steel barrel type.
- ◆All parts are pre-lubricated during assembly and the TEFLON material bushing is used, lubrication is not required.
- ◆High Temperature type cylinder is optional. The special seals uiton will be adopted to be suitable up to 150°C.
- ◆A complete range of accessories is available to meet all kind of demand.
- ◆All cylinders can be supplied as standard with magnetic pistons. The magnetic cylinder is option for using with switch sensors.

Product Code System



Symbol



Example

▲For order of the double rod and acting LB fixed pattern aluminium alloy slim cylinder which the inner diameter is 20mm , the stroke is 75mm , the magnetic ring is attached to the rid pattern is single clevis type, the correct order code is : EMALD – 20 x 75 – S – LB

Specification

缸径/ Inner Diameter (mm)	16	20	25	32	40
动作型式/ Action	双作用型/ Double Acting				
工作介质/ Fluid	经过滤的压缩空气/ The constrigent after filtered				
固定型式/Fixing Type	基本型/ Basic LB FA				
使用压力范围/ Range of Working Pressure MPa	0.05~0.9				
保证耐压力/ Proof Press MPa	1.35				
使用温度范围 / Operating Temp °C	-5~70				
使用速度范围 / Piston Speed mm/s	30~800				
缓冲型式/ Cushion	固定式缓冲/ Fixing Cushion				
接管螺纹 / Port Thread	M5 x 0.8	G1/8			G1/4

Cylinder Stroke

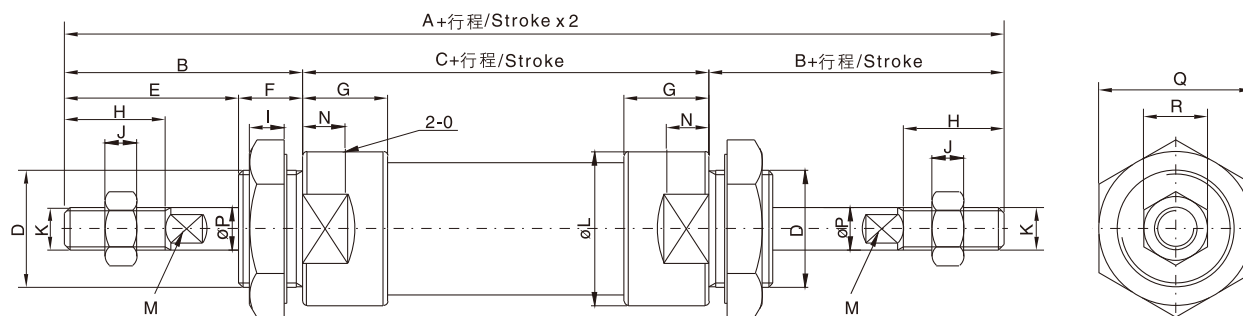
缸径/ Inner Diameter(mm)	标准行程/ Standard Stroke	最大行程/ Max Stroke	容许行程/ Permissble Stroke
16	25 50 75 80 100 125 150 160 175 200	200	300
20	25 50 75 80 100 125 150 160 175 200	200	300
25	25 50 75 80 100 125 150 160 175 200 250	250	300
32	25 50 75 80 100 125 150 160 175 200 250	250	300
40	25 50 75 80 100 125 150 160 175 200 250	250	300

※Please contact us if you want special stroke cylinder

■ Dimensions

EMALD

Φ16~Φ40



EMALD

缸径 Inner Dia.	符号 Code	A	B	C	E	F	G	H	I	J
16		136	38	60	22	16	10	16	6	5
20		150	40	70	28	12	16	20	7	6
25		158	44	70	30	14	16	22	7	6
32		158	44	70	30	14	16	22	8	6
40		184	46	92	32	14	22	24	9	7

缸径 Inner Dia.	符号 Code	L	D	K	O	M	N	P	Q	R
16		21	M16 × 1.5	M6 × 1	M5 × 0.8	5	5	6	22	10
20		29	M22 × 1.5	M8 × 1.25	G1/8	6	8	8	29	12
25		34	M22 × 1.5	M10 × 1.25	G1/8	8	8	10	29	17
32		39	M24 × 2	M10 × 1.25	G1/8	10	8	12	32	17
40		47	M30 × 2	M12 × 1.25	G1/4	14	11	16	41	19