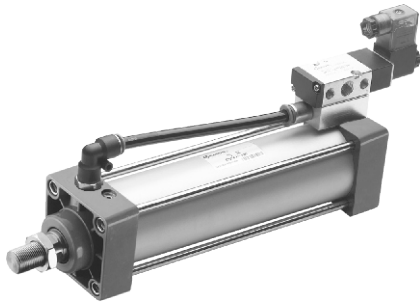


# Standard Cylinder(Tie-rod Cylinder)



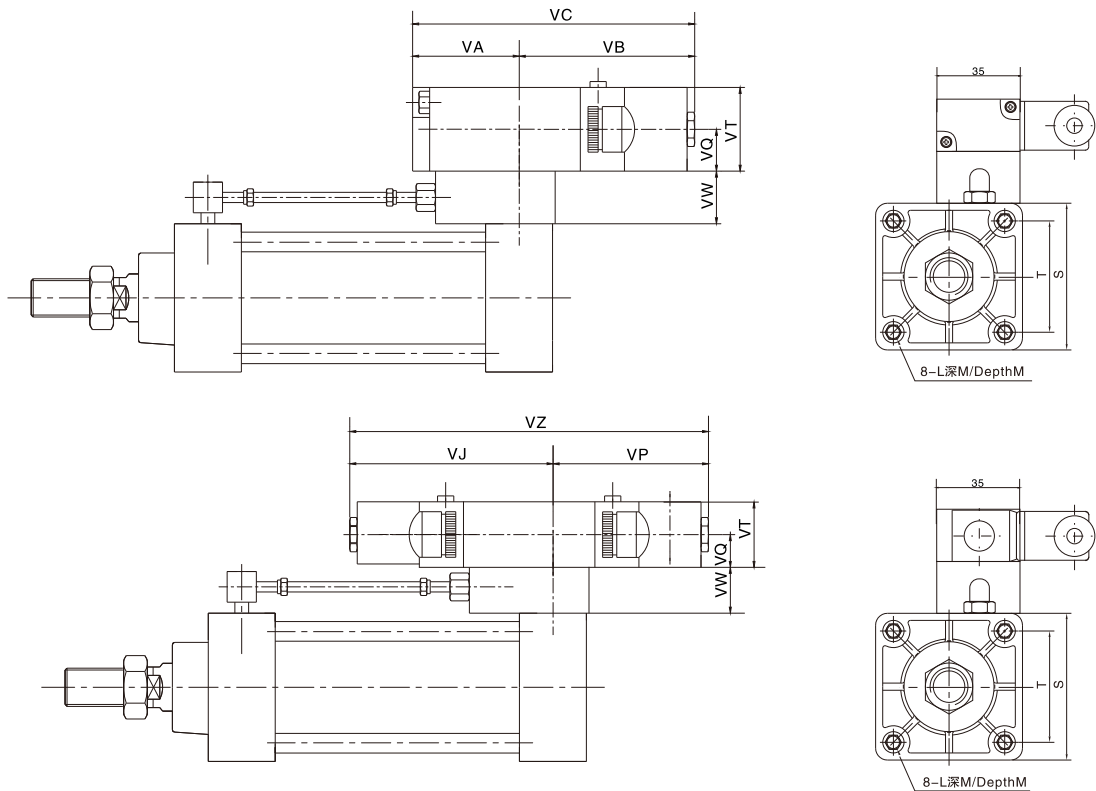
## Product Code System

ESCV	—	50 × 80	—	S	—	2	—	10	—	DC24V	—	LB
型号 Model 带阀气缸 Adjustable Stroke Type (tie-rod)	缸径 Diameter	行程 Stroke	感应磁环 Inductive Magnetic Ring S:带磁环 Blank:不带磁环	系列代号/Series Code 1: 100 系列/ Series 2: 200 系列/ Series 3: 300 系列/ Series 4: 400 系列/ Series	阀控制方式及位置/ Control mode & position 10单电控二位 Single head - two position 20双电控二位/ Double head - two position 30C双电控三位, 中封式/ Double head - three position middle Closed Type 30E双电控三位, 中泄式/ Double head - three position middle Decompression Type 30P双电控三位, 中压式/ Double head - three position middle Pressure Type	标准电压 Rated Voltage DC12V DC24V AC24V50/60Hz AC110V50/60Hz AC220V50/60Hz	固定型式 Mounting Type 空白: 基本型 Blank: Basic LB:前后固定式 LB:Front and Rear Fixation FA:前法兰式 FA:Front Flange TC:中间轴型 TC:Center Trunnion Type TC-M:软轴带固定座型 TC-M:Center Trunnion With Plank Type					

## Example

▲For order of the tie-rod cylinder LB fixed pattern which the inner diameter is 40mm, the stroke is 100mm, the magnetic ring is attached to, With double control 2 way 2 series Dc24v solenoid valve the correct order code is :  
ESCV - 40 x 100 - S - 220-DC24-LB

## Dimensions



缸径 Inner Dia.	符号 Code	VA	VB	VC	VJ	VP	VZ	VW	VQ	VT
32/40/50		43	75	118	97.5	75.5	173	22	11	22
63		52	83.5	135.5	107.5	83.5	191	22	13.5	27
80/100		52	83.5	135.5	107.5	83.5	191	27	13.5	27