

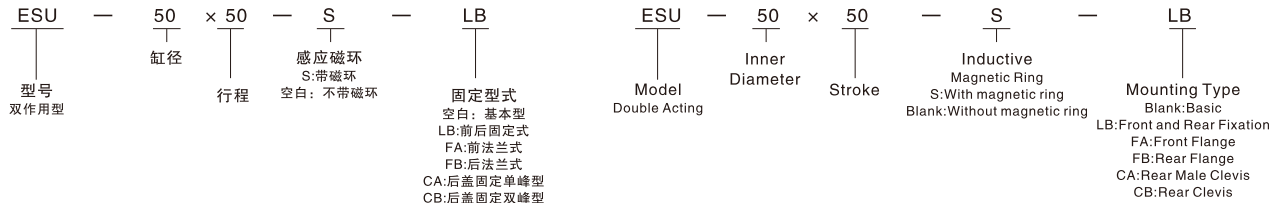
Mi Type Standard Cylinder



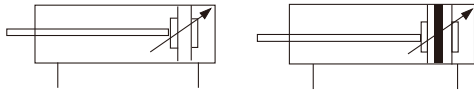
Characteristics

- ◆ Using TEFLON material bushing, lubrication is not required.
- ◆ Adjustable cushion is in the front and end cover for shock resistance.
- ◆ High Temperature type cylinder is optional. The special seals will be adopted to be suitable up to 150°C.
- ◆ All kinds of accessories are available.
- ◆ Sensor could be used for position the magnetic type cylinder.

Product Code System



Symbol



Example

▲ For order of the double acting(without tie-rod) CA fixed pattern mickey mouse standard cylinder which the inner diameter is 50mm, the stroke is 50mm, the magnetic ring is attached to , the correct order code is : ESU – 50 x 50 – S – CA

Specification

| 缸径/ Inner Diameter (mm) | 32 | 40 | 50 | 63 | 80 | 100 | 125 |
|---------------------------------------|--|----|------|----|------|-----|------|
| 动作型式/ Action | 双作用型/ Double Acting | | | | | | |
| 工作介质/ Fluid | 经过滤的压缩空气/ The constrigent after filtered | | | | | | |
| 固定型式/Fixing Type | 基本型/ Basic FA FB CA CB LB | | | | | | |
| 使用压力范围/ Range of Working Pressure MPa | 0.05~0.9 | | | | | | |
| 保证耐压力/ Proof Press MPa | 1.35 | | | | | | |
| 使用温度范围 / Operating Temp °C | -5~70 | | | | | | |
| 使用速度范围 / Piston Speed mm/s | 30~800 | | | | | | |
| 缓冲型式/ Cushion | 可调缓冲/ Regulabe Cushion | | | | | | |
| 缓冲行程/ Cushion Stroke mm | 20 | | 26 | | 25 | | 35 |
| 接管螺纹 / Port Thread | G1/8 | | G1/4 | | G3/8 | | G1/2 |

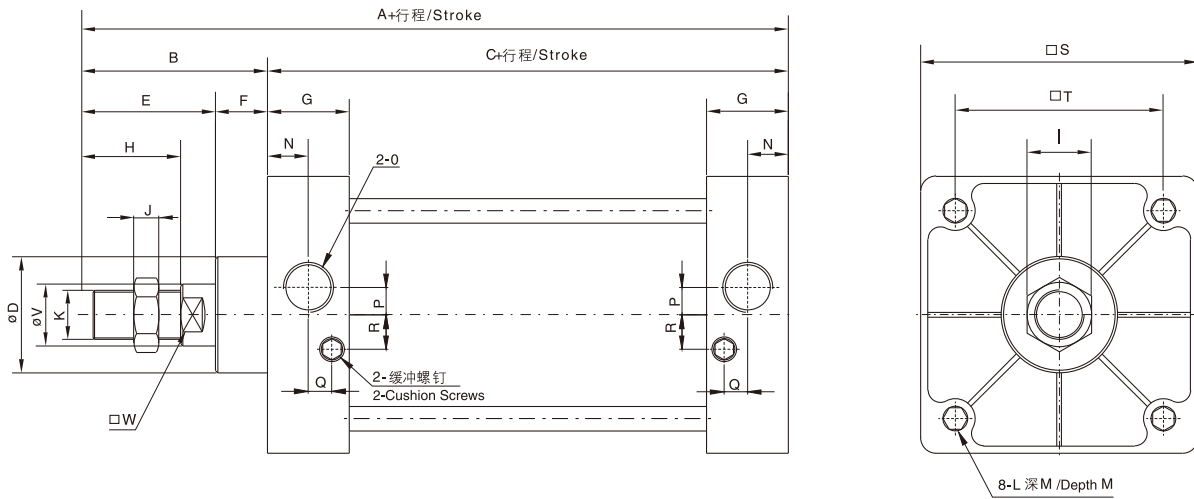
Cylinder Stroke

| 缸径 (mm) Inner Diameter | 标准行程/ Standard Stroke | 最大行程 Max Stroke | 容许行程 Permissible Stroke |
|---------------------------|--|--------------------|----------------------------|
| 32 | 25 50 75 80 100 125 150 160 175 200 225 250 300 350 400 450 500 | 1000 | 2000 |
| 40 | 25 50 75 80 100 125 150 160 175 200 225 250 300 350 400 450 500 600 700 800 | 1000 | 2000 |
| 50 | 25 50 75 80 100 125 150 160 175 200 225 250 300 350 400 450 500 600 700 800 900 1000 | 1200 | 2000 |
| 63 | 25 50 75 80 100 125 150 160 175 200 225 250 300 350 400 450 500 600 700 800 900 1000 | 1500 | 2000 |
| 80 | 25 50 75 80 100 125 150 160 175 200 225 250 300 350 400 450 500 600 700 800 900 1000 | 1500 | 2000 |
| 100 | 25 50 75 80 100 125 150 160 175 200 225 250 300 350 400 450 500 600 700 800 900 1000 | 1500 | 2000 |
| 125 | 25 50 75 80 100 125 150 160 175 200 225 250 300 350 400 450 500 600 700 800 900 1000 | 1500 | 2000 |

Dimensions

ESU

Φ32~Φ125

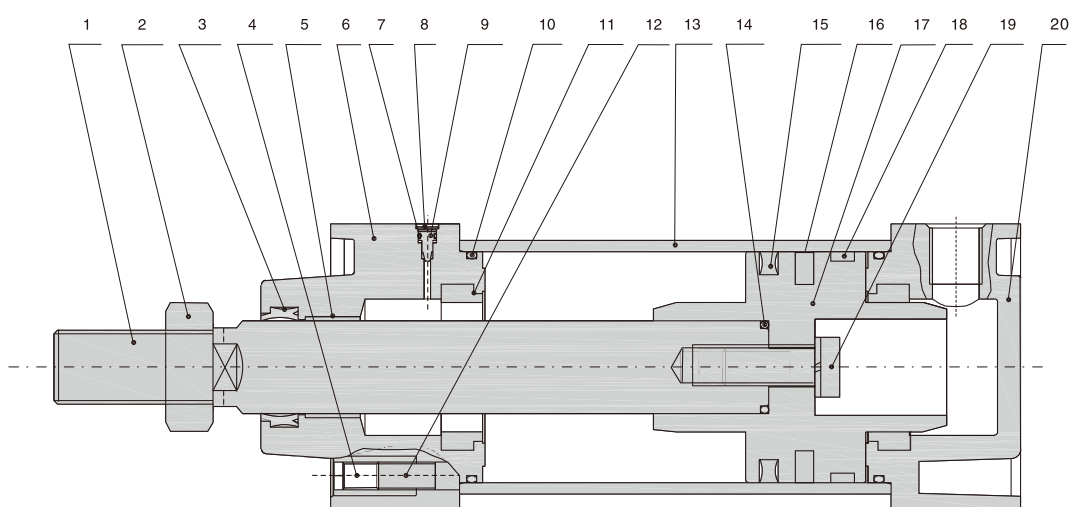


ESU

| 缸径 Inner Dia. | 符号 Code | A | B | C | D | E | F | G | H | I | J | K |
|------------------|------------|-----|----|-----|----|----|----|----|----|----|----|----------|
| 32 | | 140 | 47 | 93 | 28 | 32 | 15 | 28 | 22 | 17 | 6 | M10×1.25 |
| 40 | | 142 | 49 | 93 | 32 | 34 | 15 | 28 | 24 | 19 | 7 | M12×1.25 |
| 50 | | 150 | 57 | 93 | 38 | 42 | 15 | 28 | 32 | 22 | 8 | M16×1.5 |
| 63 | | 153 | 57 | 96 | 38 | 42 | 15 | 28 | 32 | 22 | 8 | M16×1.5 |
| 80 | | 183 | 75 | 108 | 47 | 54 | 21 | 33 | 40 | 30 | 10 | M20×1.5 |
| 100 | | 188 | 75 | 113 | 47 | 54 | 21 | 33 | 40 | 30 | 10 | M20×1.5 |
| 125 | | 234 | 98 | 136 | 60 | 73 | 25 | 40 | 54 | 38 | 12 | M27×2 |

| 缸径 Inner Dia. | 符号 Code | L | M | N | O | P | Q | R | S | T | V | W |
|------------------|------------|----------|------|------|------|---|-----|-----|-----|-----|----|----|
| 32 | | M6×1 | 14.5 | 14 | G1/8 | 5 | 6.5 | 6.5 | 46 | 33 | 12 | 10 |
| 40 | | M6×1 | 14.5 | 14 | G1/4 | 6 | 6 | 8.5 | 51 | 37 | 16 | 14 |
| 50 | | M6×1 | 14.5 | 14 | G1/4 | 7 | 5 | 9 | 62 | 47 | 20 | 17 |
| 63 | | M8×1.25 | 14.5 | 14 | G3/8 | 7 | 5 | 10 | 75 | 56 | 20 | 17 |
| 80 | | M10×1.5 | 16.5 | 16.5 | G3/8 | 7 | 5.5 | 11 | 94 | 70 | 25 | 22 |
| 100 | | M10×1.5 | 16.5 | 16.5 | G1/2 | 7 | 9 | 11 | 112 | 84 | 25 | 22 |
| 125 | | M12×1.75 | 16 | 20 | G1/2 | - | - | 12 | 140 | 110 | 32 | 27 |

Structure Chart



| | | | | | | | | | |
|----|-----|-------|-------|------|------|-----|---------|------|------|
| 序号 | 1 | 2 | 3 | 4 | 5 | 6 | 7 | 8 | 9 |
| 名称 | 活塞杆 | 活塞杆螺母 | 防尘密封圈 | 螺杆螺母 | 导套 | 前盖 | 调节螺钉O型圈 | 止动挡圈 | 调节螺钉 |
| 材料 | 中碳钢 | 低碳钢 | NBR | 低碳钢 | 复合材料 | 铝合金 | NBR | 不锈钢 | 铜 |

| | | | | | | | | | | | |
|----|--------|-----|-----|-----|--------|-------|----|-----|------|-------|-----|
| 序号 | 10 | 11 | 12 | 13 | 14 | 15 | 16 | 17 | 18 | 19 | 20 |
| 名称 | 前后盖O型圈 | 缓冲圈 | 螺杆 | 缸筒 | 活塞杆O型圈 | 组合密封圈 | 磁环 | 活塞 | 支承环 | 内六角螺钉 | 后盖 |
| 材料 | NBR | NBR | 中碳钢 | 铝合金 | NBR | NBR | 磁塑 | 铝合金 | 复合材料 | 中碳钢 | 铝合金 |

| | | | | | | | | | |
|-------------|---------------------|----------------|---------------------|--------------|--------------------|----------------|-------------------------|-----------------|------------------|
| No. | 1 | 2 | 3 | 4 | 5 | 6 | 7 | 8 | 9 |
| Description | Piston Rod | Piston Rod Nut | Dustproof Seal Ring | Pull Rod Nut | Guide Sleeve | Front Cover | Adjustable Screw O-ring | Retaining Ring | Adjustable Screw |
| Material | Medium Carbon Steel | Mild Steel | NBR | Mild Steel | Composite Material | Aluminum Alloy | NBR | Stainless Steel | Copper |

| | | | | | | | | | | | |
|-------------|---------------------------|-------------|---------------------|----------------|-------------------|--------------------|---------------|----------------|--------------------|---------------------|----------------|
| No. | 10 | 11 | 12 | 13 | 14 | 15 | 16 | 17 | 18 | 19 | 20 |
| Description | Front & Rear Cover O-ring | Buffer Ring | Screw | Cylinder | Piston Rod O-ring | Combined Seal Ring | Magnetic Ring | Piston | Support Ring | Allen Screw | Rear Cover |
| Material | NBR | NBR | Medium Carbon Steel | Aluminum Alloy | NBR | NBR | Plastic | Aluminum Alloy | Composite Material | Medium Carbon Steel | Aluminum Alloy |