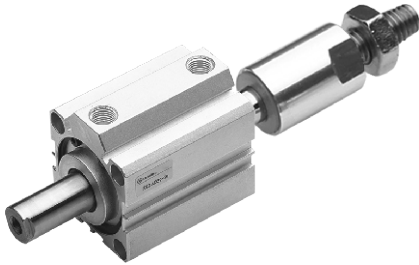
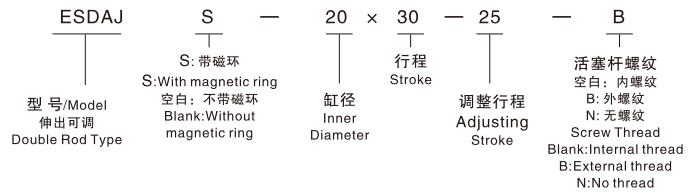


Compact Cylinder(Adjustable Stroke Type)



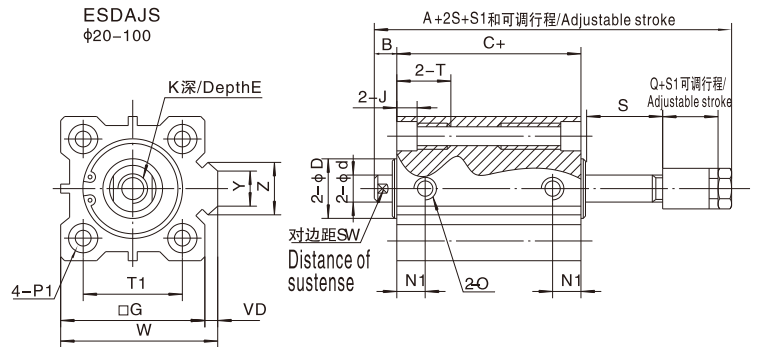
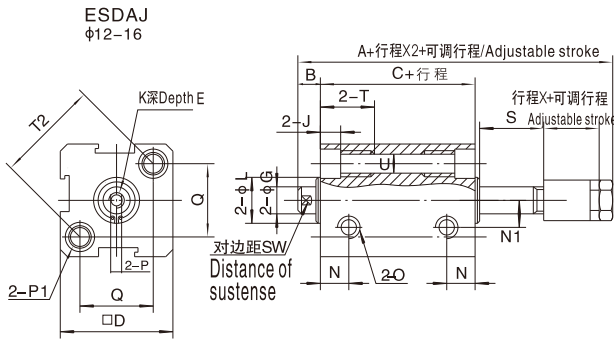
Product Code System



Example

▲ For order of the double acting compact cylinder which the inner diameter is 50mm, the stroke is 30mm, the adjusting stroke is 10mm, the magnetic ring is attached to the piston rod, the piston rod has external screw thread, the correct order code is: ESDAJS - 50 x 30 - 10 - B

Dimensions



型式/ Type	不带磁环 Without magnetic ring		带磁环 S:With magnetic ring				E		O	H	I	U
	符号 Code	A	C	A	C	B	D	行程/Stroke≤10				
12	53	27	53	27	5	25	6	6	M5×0.8	M5×0.8	6.5	4.2
16	55.5	28.5	55.5	28.5	5.5	29	6	6	M5×0.8	M5×0.8	6.5	4.2
20	64.5	29.5	64.5	29.5	5.5	34	7	8	M5×0.8	M5×0.8	6.5	4.2
25	69	31	69	31	6	40	7	10	M5×0.8	M6×1	8.2	4.6
32	74	34.5	74	34.5	7	44	9	12	G1/8	M6×1	8.2	4.6
40	77	36	77	36	7	52	8	12	G1/8	M8×1.25	10	6.5
50	82	38	82	38	9	62	11	15	G1/4	M8×1.25	11	6.5
63	86	42	86	42	9	75	9.5	15	G1/4	M8×1.25	11	6.5
80	105	51	105	51	11	94	14	23	G3/8	M12×1.75	14	9.2
100	116	61	116	61	12	114	19	23	G3/8	M14×2	17.5	11.3

缸径 Inner Dia.	符号 Code	K	Q	P	L	G	T	J	R	T2	N	N1	S	X
12	M3×0.5	16.2	5	10.2	6	12	4.5	-	23	6.3	6	-	13	
16	M3×0.5	19.8	5	11	6	12	4.5	-	28	7.3	6.5	-	13	
20	M4×0.7	24	6	15	8	14	4.5	10	-	7.5	-	36	19	
25	M5×0.8	28	8	17	10	15	5.5	10	-	8	-	42	21	
32	M6×1	34	10	22	12	16	5.5	15	-	9	-	50	21	
40	M8×1.25	40	14	28	16	20	7.5	16	-	10	-	58.5	21	
50	M10×1.5	48	17	38	20	25	8.5	20	-	10.5	-	71.5	20	
63	M10×1.5	60	17	40	20	25	8.5	20	-	11.8	-	84.5	20	
80	M14×1.5	74	22	45	25	25	10.5	26	-	14.5	-	104	25	
100	M18×1.5	90	22	55	25	30	13	26	-	18	-	124	25	