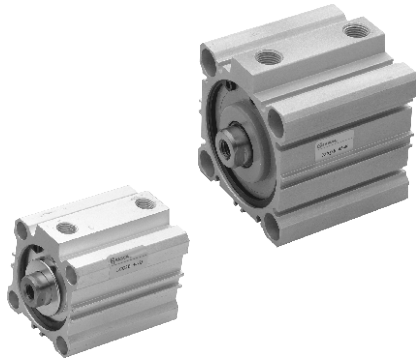


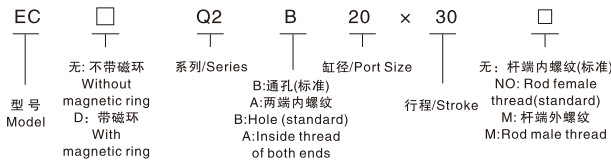
# ECDQ2 COMPACT CYLINDER



## Characteristics

- ◆ The tube of ECDQ2 Cylinder adopts aluminum alloy material with hard oxidation processing to improve the wearable and corrupt-proof ability.
- ◆ It mostly be used at short stroke with nice and compact appearance.
- ◆ Compact structure, convenient to take-down and repair.
- ◆ With magnetic ring and Reed Switch.
- ◆ It have been added senior grease, therefore it can be used without supplying oil.

## Product Code System



## Example

▲ For order of the double acting compact cylinder which the inner diameter is 50mm , the stroke is 30mm ,the magnetic ring is attached to , the piston rod has external screw thread, the correct order code is : ECDQ2B – 50 x 30 – M

## Specification

缸径/ Inner Diameter (mm)	12	16	20	25	32	40	50	63	80	100
工作介质/ Fluid	经过滤的压缩空气/ The constrigent after filtered									
动作型式/ Action	双作用型/ Double Acting									
使用压力范围/ Range of Working Pressure MPa	0.05~0.9									
保证耐压力/ Proof Press MPa	1.5									
使用温度范围 / Operating Temp °C	-5~70									
使用速度范围 / Piston Speed mm/s	100~500									
缓冲型式/ Cushion	无									
接管螺纹 / Port Thread	M5 × 0.8			1/8			1/4		3/8	

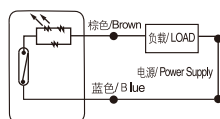
## Cylinder Stroke

缸径 Inner Diameter(mm)	双作用气缸行程/ Standard Stroke	单作用气缸行程/Standard Stroke
12	5 10 15 20 25 30	5 10
16		
20		
25		
32	5 10 15 20 25 30 35 40 45 50 75 100	10 20
40		
50		
63	10 15 20 25 30 35 40 45 50 75 100	—
80		
100		

## Reed Switch



接线图/Wiring Diagram



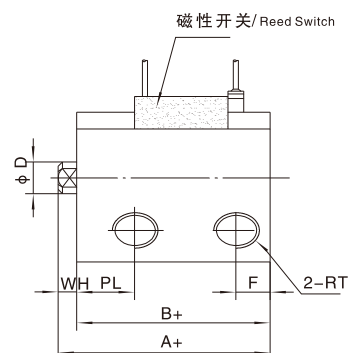
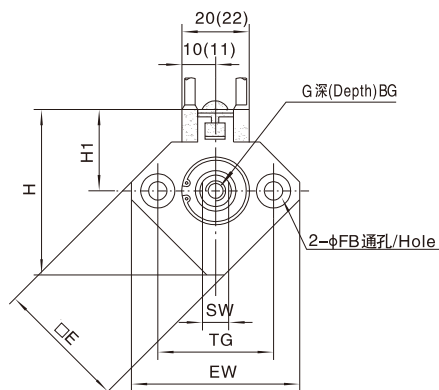
## Specification

型号	线长	开关逻辑 Switch Logic	磁性开关形式 Switch Patteem	使用电压 Load Votaged	最大开关电流 Max Cuent	最大接点容量 Max Capacity	指示灯 Indicator Light	感应灵敏度	最大开关切换频率 Max Switching Frequency	使用温度范围 Openting Temp	防护等级 Protection Grade
ES-33RH-1M	1M	SPST 常开型 Normal Open	有接点磁簧管型 Has cranode magnetic spring type	5~240V DC/AC	100mA (最大值) (Max)	10W (最大值) (Max)	红色 LED Red LEO	60高斯 Gauss	200HZ	-10~70°C	IP67 (NEMA6)
ES-33RH-2M	2M										
ES-33RH-3M	3M										

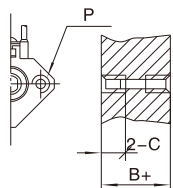
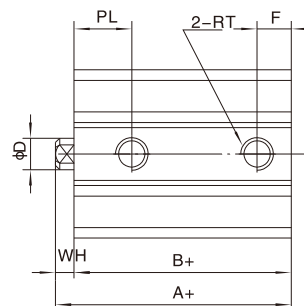
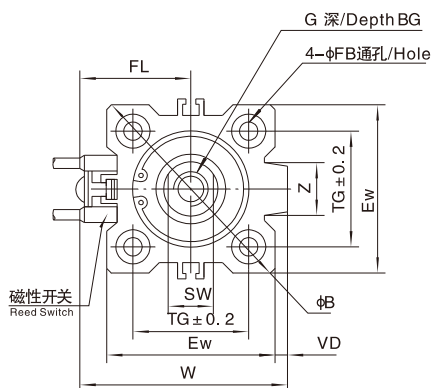
## Dimensions

ECDQ2B

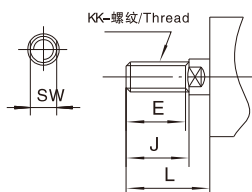
Φ12-Φ25



Φ32-Φ100



符号 缸径 Inner Dia.	符号 Code	P	C
12		M4 × 0.7	7
16		M4 × 0.7	7
20		M6 × 1.0	10
25		M6 × 1.0	10
32		M6 × 1.0	10
40		M6 × 1.0	10
50		M8 × 1.25	14
63		M10 × 1.5	18
80		M12 × 1.75	22
100		M12 × 1.75	22



符号 缸径 Inner Dia.	符号 Code	E	J	ΦD	KK	L	SW
12		9	10.5	6	M5	14	5
16		10	12	8	M6	15.5	6
20		12	14	10	M8	18.5	8
25		15	17.5	12	M10 × 1.25	22.5	10
32		20.5	23.5	16	M14 × 1.5	28.5	14
40		20.5	23.5	16	M14 × 1.5	28.5	14
50		26	28.5	20	M18 × 1.5	33.5	17
63		26	28.5	20	M18 × 1.5	33.5	17
80		32.5	35.5	25	M22 × 1.5	43.5	22
100		32.5	35.5	25	M22 × 1.5	43.5	27

符号 缸径 Inner Dia.	A	A*	B	B*	ΦD	EW	F	F*	G	BG	ΦB	VD	SW	WH	TG	FB	RT	PL	H	H1	E	Z
12	20.5	25.5	17	22	6	32	5	5	M3 × 0.5	6	-	-	5	3.5	22	3.5	M5 × 0.8	11	35.5	19.5	25	-
16	22	27	18.5	23.5	8	38	5.5	5.5	M4 × 0.7	8	-	-	6	3.5	28	3.5	M5 × 0.8	10	41.5	22.5	29	-
20	24	29	19.5	24.5	10	46.8	5.5	5.5	M5 × 0.8	7	-	-	8	4.5	36	5.5	M5 × 0.8	10.5	48	24.5	36	-
25	27.5	32.5	22.5	27.5	12	52	5.5	5.5	M6 × 1.0	12	-	-	10	5	40	5.5	M5 × 0.8	11	53.5	27.5	40	-
32	30	35	23	28	16	45	5.5	7.5	M8 × 1.25	13	60	4.5	14	7	34	5.5	G1/8	10.5	58.5	31.5	-	18
40	36.5	41.5	29.5	34.5	16	52	8	8	M8 × 1.25	13	69	5	14	7	40	5.5	G1/8	11	66	35	-	18
50	38.5	43.5	30.5	35.5	20	64	10.5	10.5	M10 × 1.5	15	86	7	17	8	50	6.6	G1/4	10.5	80	41	-	22
63	44	49	36	41	20	77	10.5	10.5	M10 × 1.5	15	103	7	17	8	60	9	G1/4	15	93	47.5	-	22
80	53.5	58.5	43.5	48.5	25	98	12.5	12.5	M16 × 2.0	21	132	6	22	10	77	11	G3/8	16	112.5	57.5	-	26
100	65	70	53	58	30	117	13	13	M20 × 2.5	27	156	6.5	27	12	94	11	G3/8	23	132.5	67.5	-	26

注: \* Is with magnetic ring's dimensions