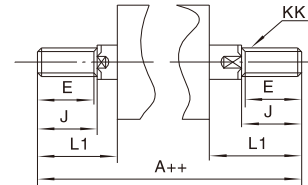
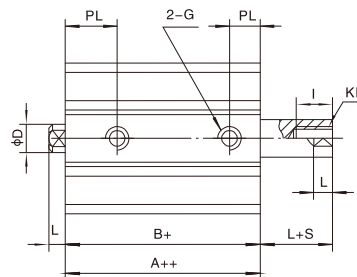
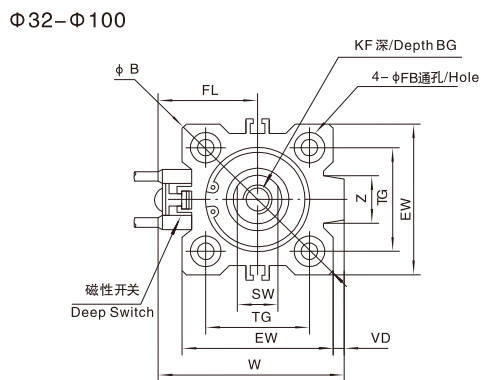
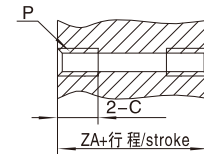
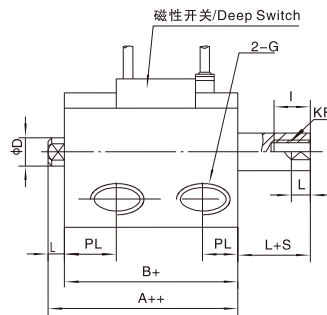
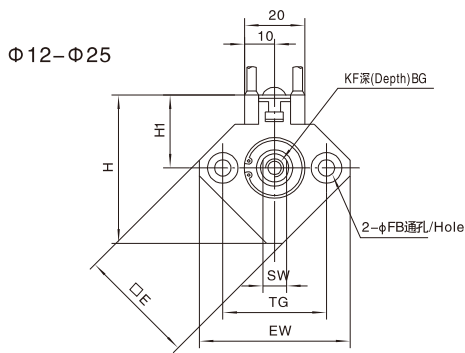


ECDQ2WB COMPACT CYLINDER(Double Rod Type)



■ Dimensions

缸径 Inner Dia.	符号 Code	E	J	KK	L1	A
12		9	10.5	M5	14	60.5
16		10	12	M6	15.5	67
20		12	14	M8	18.5	75
25		15	17.5	M10×1.25	22.5	84
32		20.5	23.5	M14×1.5	28.5	97.5
40		20.5	23.5	M14×1.5	28.5	107
50		26	28.5	M18×1.5	33.5	117.5
63		26	28.5	M18×1.5	33.5	119
80		32.5	35.5	M22×1.5	43.5	148
100		32.5	35.5	M22×1.5	43.5	157.5



缸径 Inner Dia.	符号 Code	P	C
12		M4	7
16		M4	7
20		M6	10
25		M6	10
32		M6	10
40		M6	10
50		M8	14
63		M10	18
80		M12	22
100		M12	22

缸径 Inner Dia.	符号 Code	A	A*	B	B*	ΦD	EW	KF	I	ΦB	VD	SW	L	TG	ΦFB	G	PL	H	H1	E	Z
12		32.2	39.5	25.5	32.5	6	32	M3	6	-	-	5	3.5	22	3.5	M5	10.5	35.5	19.5	25	-
16		33	43	26	36	8	38	M4	8	-	-	6	3.5	28	3.5	M5	10	41.5	22.5	29	-
20		35	47	26	38	10	46.8	M5	7	-	-	8	4.5	36	5.5	M5	10.5	48	24.5	36	-
25		39	49	29	39	12	52	M6	12	-	-	10	5	40	5.5	M5	11	53.5	27.5	40	-
32		44.5	54.5	30.5	40.5	16	45	M8	13	60	4.5	14	7	34	5.5	G1/8	12.5	54	31.5	-	18
40		54	64	40	50	16	52	M8	13	69	5	14	7	40	5.5	G1/8	14	61	35	-	18
50		56.5	66.5	40.5	50.5	20	64	M10	15	86	7	17	8	50	6.6	G1/4	14	73	41	-	22
63		58	68	42	52	20	77	M10	15	103	7	17	8	60	9	G1/4	15.5	86	47.5	-	22
80		71	81	51	61	25	98	M16	21	132	6	22	10	77	11	G3/8	18	106.5	57.5	-	26
100		84.5	94.5	60.5	70.5	25	117	M20	27	156	6.5	22	12	94	11	G3/8	22	126	67.5	-	26

注：* Is with magnetic ring's dimensions