

ISO6432标准

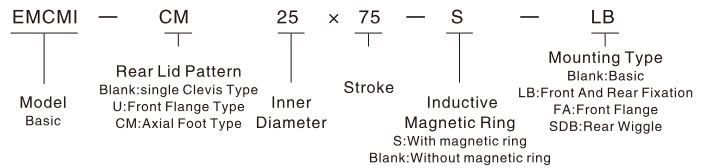
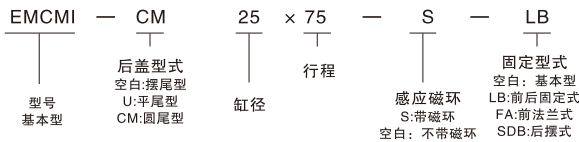
EMCMI Stainless Steel Mini Cylinder(Basic)

Characteristics

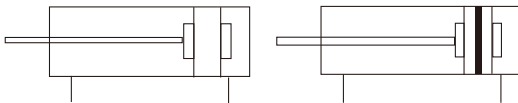


- ◆All parts are pre-lubricated during assembly and the TEFLON material bushing is used, lubrication is not required.
- ◆The stainless steel material barrel with a great corrosion resistance and the special surface treatment could guarantee a durable working life.
- ◆High Temperature type cylinder is optional. The special seals uiton will be adopted to be suitable up to 150℃.
- ◆All kinds of accessories according to ISO 6432 and A complete range of accessories is available to meet all kind of demand.
- ◆All cylinders can be supplied as standard with magnetic pistons for use with switch sensors.

Product Code System



Symbol



Example

▲For order of the double acting LB fixed pattern stainless steel mini cylinder which the inner diameter is 20mm , the stroke is 75mm , the magnetic ring is attached to , the rid pattern is single clevis type, the correct order code is :EMCMI - 20 x 75 - S - LB

Specification

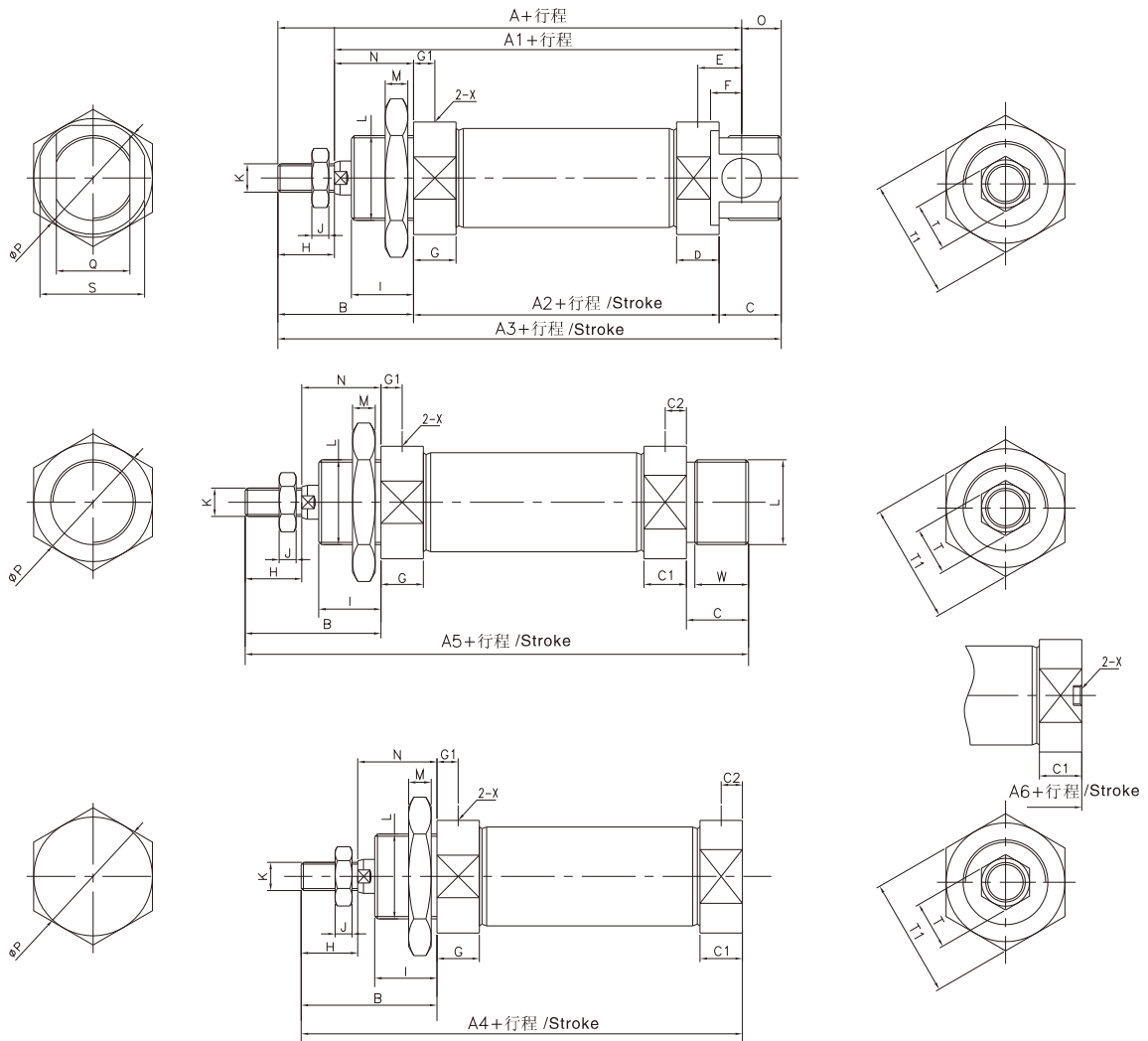
缸径/ Inner Diameter (mm)	10	16	20	25	32	40
动作型式/ Action	双作用型/ Double Acting					
工作介质/ Fluid	经过滤的压缩空气/ The constrigent after filtered					
固定型式/Fixing Type	基本型/ Basic LB FA SDB					
使用压力范围/ Range of Working Pressure MPa	0.05~0.9					
保证耐压力/ Proof Press MPa	1.35					
使用温度范围 / Operating Temp ℃	-5~70					
使用速度范围 / Piston Speed mm/s	50~800					
缓冲型式/ Cushion	固定式缓冲/ Fixing Cushion					
接管螺纹 / Port Thread	M4 x 0.7	M5 x 0.8				G1/8

Cylinder Stroke

缸径/ Inner Diameter(mm)	标准行程/ Standard Stroke	最大行程/ Max Stroke	容许行程/ Permissible Stroke
16	25 50 75 80 100 125 150 160 175 200	300	500
20	25 50 75 80 100 125 150 160 175 200 250 300	500	650
25	25 50 75 80 100 125 150 160 175 200 250 300 350 400 450 500	500	650
32	25 50 75 80 100 125 150 160 175 200 250 300 350 400 450 500	500	650
40	25 50 75 80 100 125 150 160 175 200 250 300 350 400 450 500	500	650

※Please contact us if you want special stroke cylinder

Dimensions



EMCMI

缸径 Inner Dia.	符号 Code	A	A1	A2	A3	A4	A5	A6	B	C	C1	C2	D	E	F	G	G1	H	I	J
10		76	64	46	86	74	-	-	28	12	9.5	5	9.5	5	6	11.5	7	12	12	2.2
12		91	75	50	105	88	-	-	38	17	10.5	6	10.5	6	9	12.5	8	16	17	5
16		98	82	56	111	94	111	94	38	17	10.5	6	10.5	6	9	12.5	8	16	17	5
20		115	95	62	126	106	126	106	44	20	14.5	7.5	14.5	7.5	12	14.5	7.5	20	20	6
25		126	104	65	137	115	137	114.5	50	22	16	8	16	8	12	16	8	22	22	6
32		-	-	-	-	125	140	126	58	14	16.5	9	-	-	-	16.5	9	20	30	6
40		-	-	-	-	158	174	158	69	16	22	12	-	-	-	22	12	24	35	7

缸径 Inner Dia.	符号 Code	K	L	M	N	O	P	P1	Q	R	S	T	T1	X	V	W	Y
10		M4 × 0.7	M12 × 1.25	6	16	10	17	4	8	12	15	7	17	M5 × 0.8	4	-	-
12		M6 × 1	M16 × 1.5	6	22	14	20	6	12	16	18	10	22	M5 × 0.8	6	-	5
16		M6 × 1	M16 × 1.5	6	22	13	22	6	12	16	20	10	22	M5 × 0.8	6	13.5	5
20		M8 × 1.25	M16 × 1.5	7	24	11	29	8	16	22	25	12	29	G1/8	8	16.5	6
25		M10 × 1.25	M22 × 1.5	7	28	11	33.5	8	16	22	30	17	29	G1/8	10	18.5	8
32		M10 × 1.25	M30 × 1.5	7	38	-	37.5	-	-	30	34.5	17	36	G1/8	12	10.5	10
40		M12 × 1.75	M38 × 1.5	8	45	-	46.5	-	-	38	42.5	17	46	G1/4	16	12.5	14