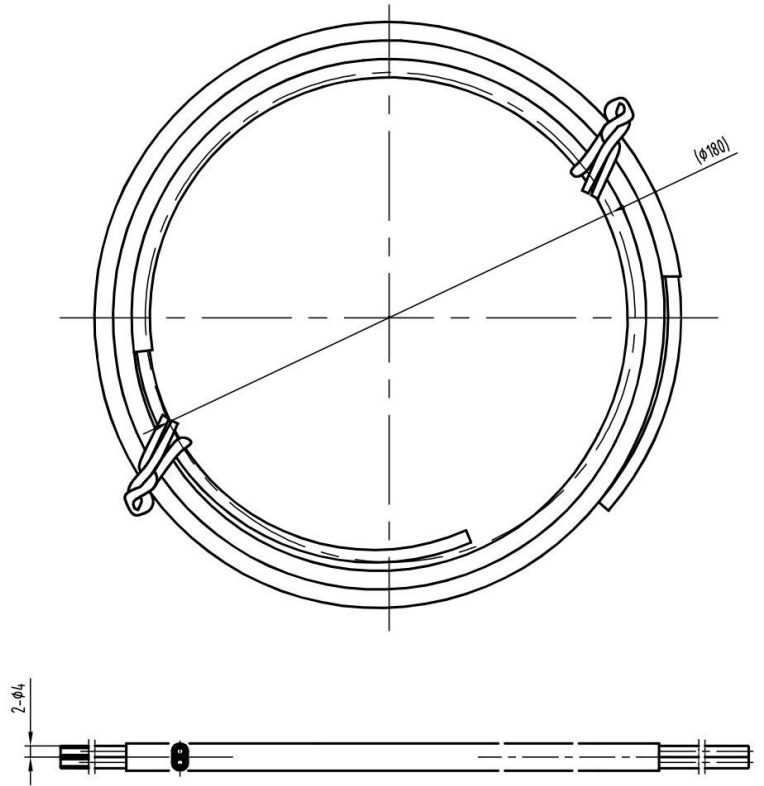


Tube bundle



product name	Tube bundle	Service life	3 years
working temperature	-40°C~120°C	Functional use	Applied to the air reversing connecting system of automobile gearbox
Maximum service pressure	1MPa		