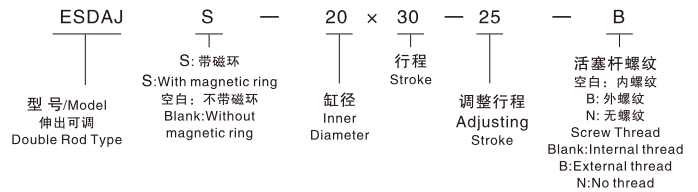


# ESDAJ薄型气缸(伸出可调型)



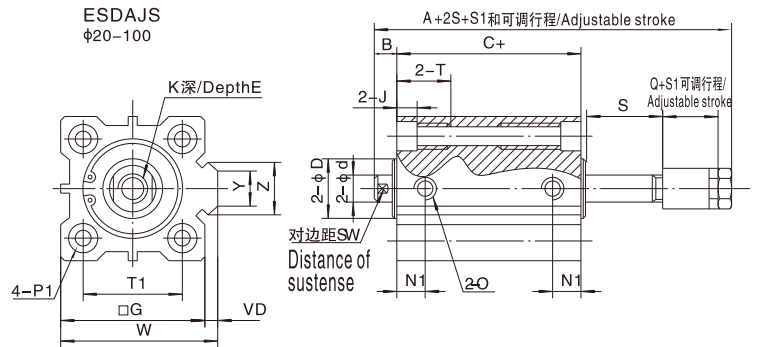
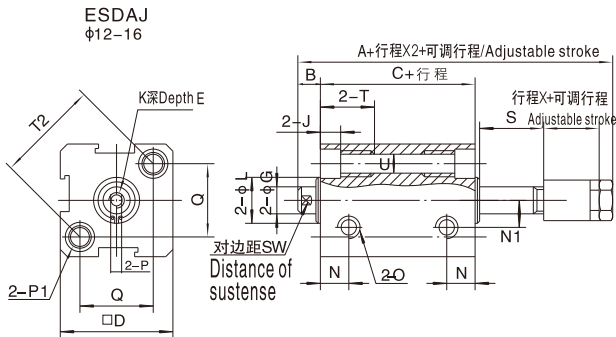
## 型号命名



## 举例

▲欲订购缸径为50mm,行程为30mm,调整行程为10mm,带磁环,活塞杆螺纹型式为外螺纹式的伸出可调型薄型气缸,其正确的订购代码为:  
ESDAJS - 50 x 30 - 10-B

## 外形与安装尺寸



型式/Type	不带磁环 Without magnetic ring		带磁环 S:With magnetic ring				E		O	H	I	U
	符号 Code	A	C	A	C	B	D	行程/Stroke≤10				
缸径 Inner Dia.												
12	53	27	53	27	5	25	6	6	M5×0.8	M5×0.8	6.5	4.2
16	55.5	28.5	55.5	28.5	5.5	29	6	6	M5×0.8	M5×0.8	6.5	4.2
20	64.5	29.5	64.5	29.5	5.5	34	7	8	M5×0.8	M5×0.8	6.5	4.2
25	69	31	69	31	6	40	7	10	M5×0.8	M6×1	8.2	4.6
32	74	34.5	74	34.5	7	44	9	12	G1/8	M6×1	8.2	4.6
40	77	36	77	36	7	52	8	12	G1/8	M8×1.25	10	6.5
50	82	38	82	38	9	62	11	15	G1/4	M8×1.25	11	6.5
63	86	42	86	42	9	75	9.5	15	G1/4	M8×1.25	11	6.5
80	105	51	105	51	11	94	14	23	G3/8	M12×1.75	14	9.2
100	116	61	116	61	12	114	19	23	G3/8	M14×2	17.5	11.3

缸径 Inner Dia.	符号 Code	K	Q	P	L	G	T	J	R	T2	N	N1	S	X
12	M3×0.5	16.2	5	10.2	6	12	4.5	-	23	6.3	6	-	13	
16	M3×0.5	19.8	5	11	6	12	4.5	-	28	7.3	6.5	-	13	
20	M4×0.7	24	6	15	8	14	4.5	10	-	7.5	-	36	19	
25	M5×0.8	28	8	17	10	15	5.5	10	-	8	-	42	21	
32	M6×1	34	10	22	12	16	5.5	15	-	9	-	50	21	
40	M8×1.25	40	14	28	16	20	7.5	16	-	10	-	58.5	21	
50	M10×1.5	48	17	38	20	25	8.5	20	-	10.5	-	71.5	20	
63	M10×1.5	60	17	40	20	25	8.5	20	-	11.8	-	84.5	20	
80	M14×1.5	74	22	45	25	25	10.5	26	-	14.5	-	104	25	
100	M18×1.5	90	22	55	25	30	13	26	-	18	-	124	25	